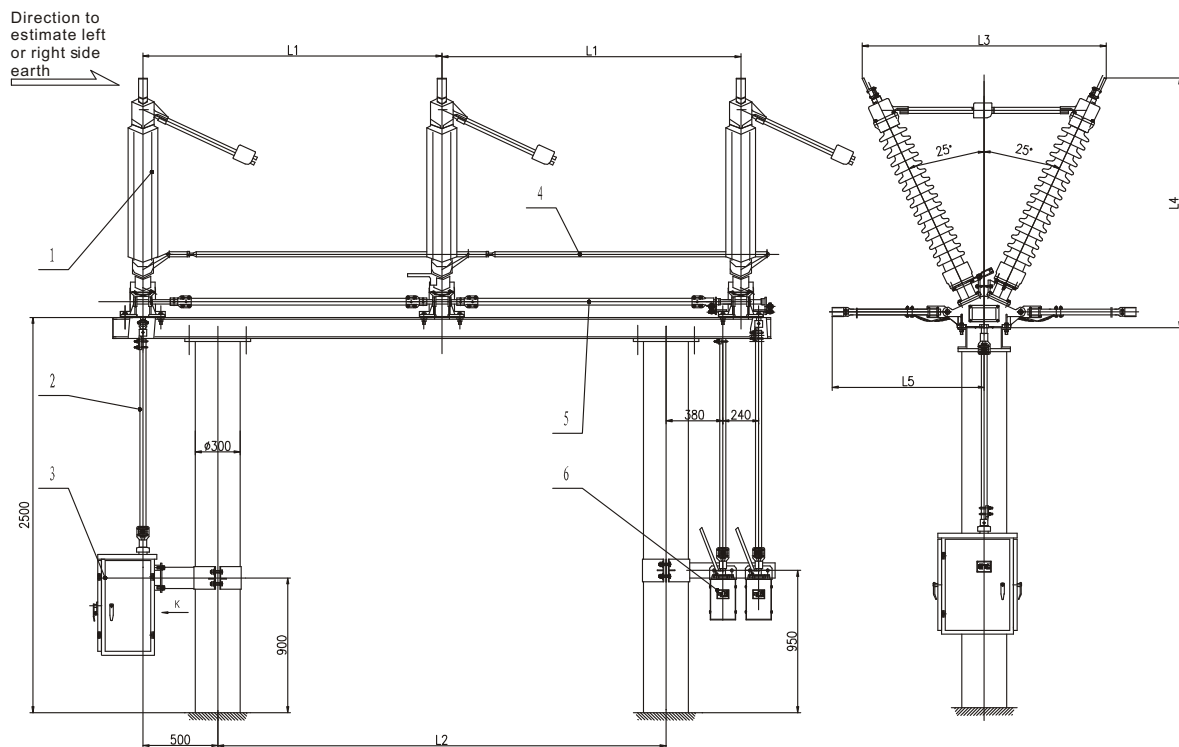


Item		Unit	Data			
1min power frequency withstand voltage	phase to earth	kV	95	160	230	275
	across open contacts		115	200	230+70	315
Lightning impulse withstand voltage(peak)	phase to earth		185	350	550	650
	across open contacts		215	410	550+100	750
Main loop resistance	630A	$\mu\Omega$	≤ 150	≤ 200	≤ 225	≤ 250
	1250A		≤ 100	≤ 125	≤ 150	≤ 175
	1600A		≤ 80	≤ 100	≤ 120	≤ 125
	2000A		≤ 60	≤ 80	≤ 100	≤ 125
Main blade open contacts		mm	≥ 400	≥ 900	≥ 1050	≥ 1350
Single phase weight		kg	90	250	300	350
Mechanical steady operating times		times	3000			
Operating mechanism type	main blade		CJ6B or CS17			
	earth blade		CS17			

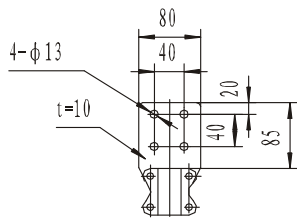
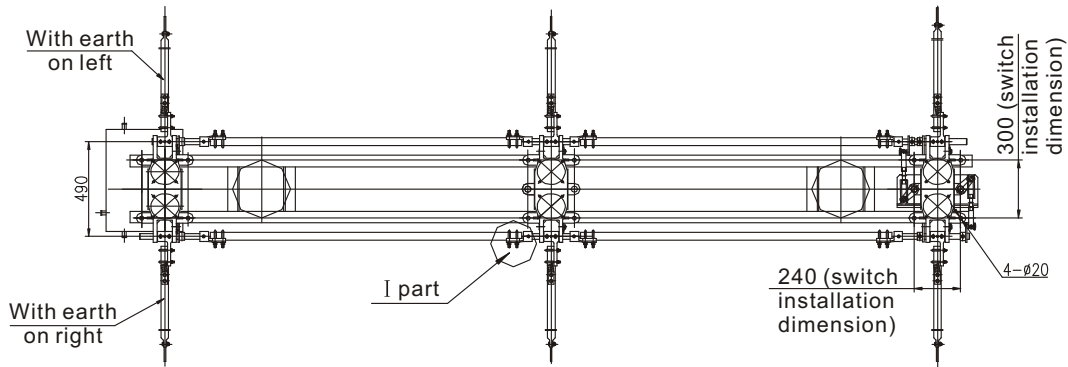
Product feature

There are two supporting insulators fixed on the pedestals respectively with the 50° inclination, and the main components include pedestals, supporting insulators, connection seat, contacts earthing blades, earthing fixed contact and so on. There are three kinds of disconnect switch: without earthing, single-earthing and double-earthing. It can be provided with mechanism linkage between principal axis and earthing blades and assistant switch, operating can be achieved by manual and motor.

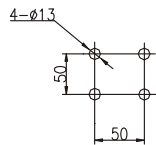
Outline dimension



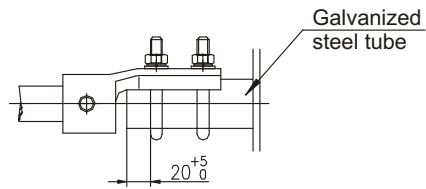
1. Switch 2. Vertical connection bar 3. CJ6B motor operating mechanism
4. Horizontal connection bar 5. Horizontal connection bar for earth switch
6. CS17 manual operating mechanism



630A/1250A Connection plate dimension (alum)

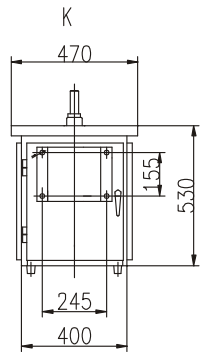


1600A/2000A Connection plate dimension (alum)

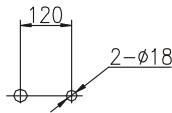


I part blown-up scale:5:1

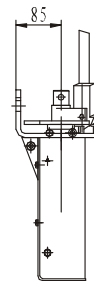
1. CJ6B motor mechanism weight and output moment: 90kg/500N.M(main blade)
2. CS17 manual mechanism weight and operating force: 15kg/≤200N.
3. Single phase windward acreage: 0.5m²
4. Barycenter height: 600mm



CJ6B



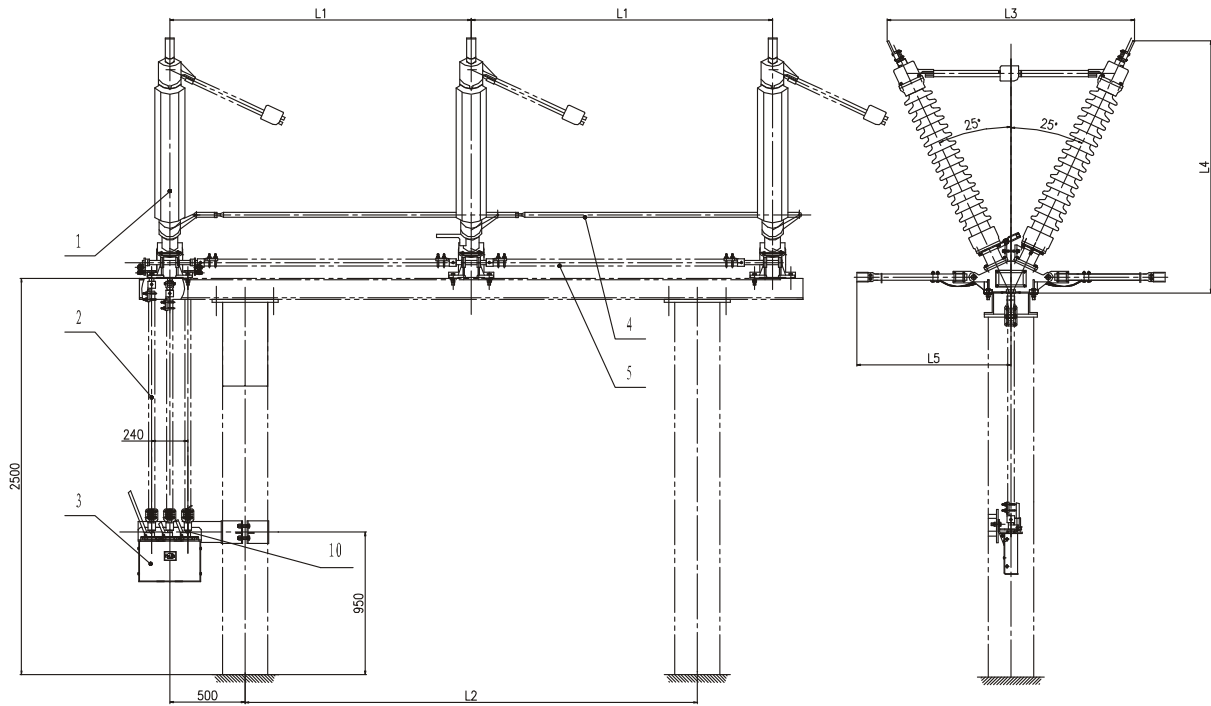
CS17



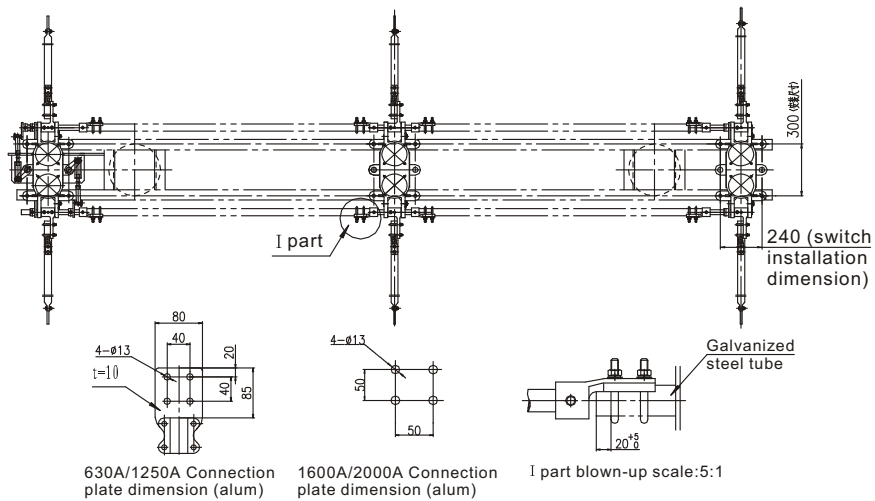
CS17 side view

Item	L1	L2	L3	L4	L5
145kV with earth	2500	4000	1820	1860	1840
145kV without earth	2500	4000	1820	1860	
126kV with earth	2000	3000	1660	1680	1640
126kV without earth	2000	3000	1660	1680	
72.5kV with earth	1700	2400	1290	1300	1215
72.5kV without earth	1700	2400	1290	1300	

Drawing 1 GW5-⁶³⁰_{72.5}/¹²⁵⁰₁₆₀₀/¹⁶⁰⁰₂₀₀₀ Outdoor HV disconnect switch
(main blade with CJ6B mechanism, earth blade with CS17 mechanism)



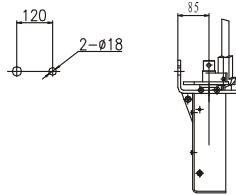
1.Switch 2.Vertical connection bar 3.CS17 manual operating mechanism
4.Horizontal connection bar 5.Horizontal connection bar for earth switch



630A/1250A Connection plate dimension (alum)

1600A/2000A Connection plate dimension (alum)

I part blown-up scale:5:1



CS17 CS17 right side

- 1.CS17 manual mechanism weight and operating force:15kg/≤200N.
- 2.Single phase windward acreage:0.5m²
- 3.Barycenter height:600mm

Item	L1	L2	L3	L4	L5
145kV with earth	2500	4000	1820	1860	1840
145kV without earth	2500	4000	1820	1860	
126kV with earth	2000	3000	1660	1680	1640
126kV without earth	2000	3000	1660	1680	
72.5kV with earth	1700	2400	1290	1300	1215
72.5kV without earth	1700	2400	1290	1300	

Drawing 2 GW5-⁶³⁰_{72.5}/¹²⁵⁰₁₂₆/¹⁶⁰⁰₁₆₀₀/²⁰⁰⁰₂₀₀₀ Outdoor HV disconnect switch
(main blade and earth blade both with CS17 mechanism)